



## MODEL 2060E

# 60 LBF MODAL SHAKER

- Through-hole armature with chuck and collet attachment provides simple set-up with modal stingers.
- Lightweight and portable – weighing just 37 lb (17 kg)
- Trunnion base provides flexibility and easy set-up when aligning the shaker and choosing best exciter location(s)
- 1.4" extended stroke for low frequency and broad frequency range supply adequate input energy for most modal applications
- Forced air cooling sufficient to meet full shaker performance (60 lbf<sub>pk</sub>) specifications

## MODAL TESTING

For many experimental modal test applications, an electrodynamic shaker system is best suited for creating an appropriate input forcing function. Distributing adequate input force energy across the test structure and obtaining accurate and reliable input force measurements is critical for successful modal and structural testing. This requires a shaker that is highly portable, rugged and easy to setup in order to position in the best exciter location while minimizing any unwanted interaction between the exciter and test structure.

The Modal Shop's Modal Shaker Model 2060E, a lightweight electrodynamic modal exciter, is capable of providing up to 60 lbf (267 N) of peak force excitation in a small footprint weighing just 37 pounds (17 kg). With an extended 1.4" (36 mm) stroke enhancing input levels at low frequencies and useful frequency range beyond 6 kHz, the 2060E is suitable for structural testing and experimental modal analysis applications, including single and multiple inputs (SIMO and MIMO) using random, burst random, sine dwell or chirp excitation signals.

The 2060E modal exciter is supplied in a trunnion base allowing full rotation for easy setup. The through-hole armature design with chuck and collet attachment is ideal for use with either traditional modal stinger rods or piano wire stingers. These stingers greatly simplify test setup with an easy connection to the force sensor and test structure, and help decouple cross-axis force inputs, minimizing input force measurement errors while using the modal shaker. For horizontal force inputs, the 2060E adapts directly to The Modal Shop's Lateral Excitation Shaker Stand Model 2050A.

## SPECIFICATIONS

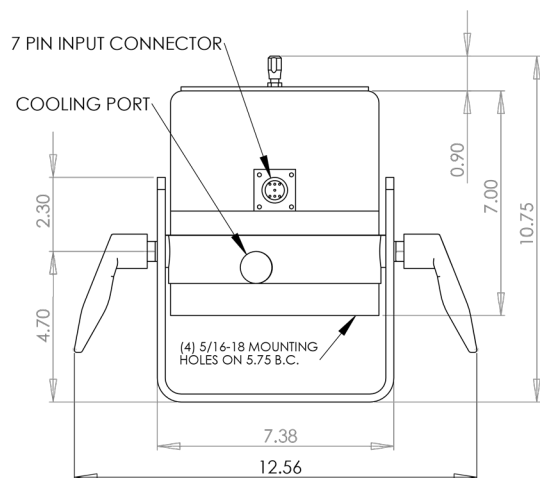
Performance	
Output Force, sine pk, ambient air cooling	30 lb (133 N)
Output Force, sine pk, forced air cooling	60 lb (267 N) <sup>[1]</sup>
Stroke Length, pk-pk	1.4 in (36 mm) <sup>[2]</sup>
Frequency Range, nominal	DC - 6000 Hz <sup>[3][4]</sup>
First Resonance Frequency, nominal	> 4000 Hz <sup>[4]</sup>
Maximum Acceleration, bare table	100 g (1000 m/s <sup>2</sup> ) pk
Maximum Velocity	120 ips (3 m/s) pk
Protection Features	Mechanical stops
	Over-current (in-line fuse)

Physical	
Maximum Current, ambient air cooling	9 A rms
Maximum Current, forced air cooling	18 A rms
DC Resistance, armature, nominal	1 Ω <sup>[5]</sup>
Armature Suspension System	8 pcs carbon fiber composite flexures
Effective Armature Mass	0.6 lb (0.272 kg)
Dimensions (H x W x D), nominal	10.8 x 12.6 x 6.5 in (273 x 319 x 165 mm) <sup>[6]</sup>
Weight, nominal	37 lb (17 kg)
Operating Range	40 – 100 °F (4 – 38 °C), < 85% RH

Supplied Accessories	
Trunnion base with EasyTurn™ handles	
Shaker cable 10 ft (3 m)	
Chuck with collets	
10-32 mounting adaptor	
Variety of rod and piano wire stinger kits (Models 2150G12, 2155G12 and K2160G)	

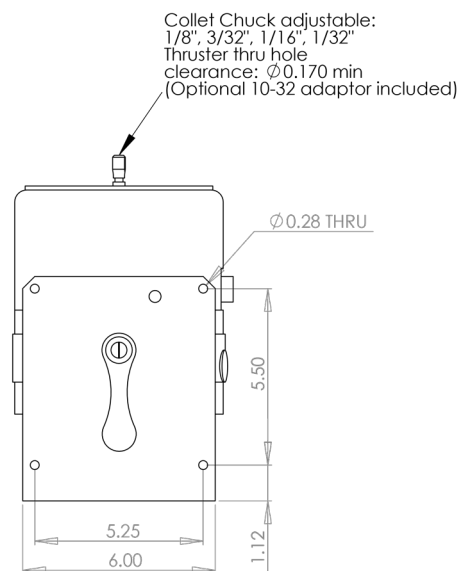
Suggested Accessories	
<b>2100E21</b>	SmartAmp™ Power Amplifier 400 W, 92% efficient, continuous gain adjustment
<b>PCB 288D01</b>	ICP® impedance head driving point sensor
<b>PCB 208</b>	PCB 208 series ICP® force sensors
<b>2050A</b>	Lateral Excitation Stand
<b>2100E13</b>	Modal Accessory Kit, for use with 2050A excitation stand

- [1] Full force range requires optional forced air cooling with appropriate power amplifier  
 [2] Mechanical stops at 0.75" (19 mm)  
 [3] Frequency range based upon ISO 5344 recommended useful range of 1.5 times first resonance frequency  
 [4] Load dependent  
 [5] Room temperature, 68 °F (20 °C)  
 [6] Reference outline drawing for exact dimensions  
 Front left photo taken in cooperation with Belgian Defense



**Model 2060E - Front View**

Dimensions in inches



**Model 2060E - Side View**

Dimensions in inches

## THE MODAL SHOP

MTS SYSTEMS CORPORATION

3149 E Kemper Rd, Cincinnati, OH 45241 USA

Toll-Free in the USA: 800 860 4867

Phone: 1 513 351 9919 | Email: info@modalshop.com

The Modal Shop, Inc. offers structural vibration and acoustic sensing systems and services for various applications in design and test laboratories as well as manufacturing plants. An extensive sound and vibration rental program, precision calibration systems, and both modal and vibration shakers are designed to simplify test phases. Non Destructive Testing Systems help manufacturers provide 100% quality inspection of metal components. The Modal Shop, Inc. is a subsidiary of PCB Piezotronics, Inc., and PCB® is a wholly owned subsidiary of MTS Systems Corporation.

© 2019 The Modal Shop, Inc. In the interest of constant product improvement, specifications are subject to change without notice. PCB®, ICP®, Swiveler®, Modally Tuned®, and IMI® with associated logo are registered trademarks of PCB Piezotronics, Inc. in the United States. ICP® is a registered trademark of PCB Piezotronics Europe GmbH in Germany and other countries. UHT-12™ is a trademark of PCB Piezotronics, Inc. SensorLine™ is a service mark of PCB Piezotronics, Inc. SWIFT® is a registered trademark of MTS Systems Corporation in the United States. All other trademarks are property of their respective owners.

DS-0076 revB



MTS Sensors, a division of MTS Systems Corporation (NASDAQ: MTSC), vastly expanded its range of products and solutions after MTS acquired PCB Piezotronics, Inc. in July, 2016. PCB Piezotronics, Inc. is a wholly owned subsidiary of MTS Systems Corp.; IMI Sensors and Larson Davis are divisions of PCB Piezotronics, Inc.; Accumetrics, Inc. and The Modal Shop, Inc. are subsidiaries of PCB Piezotronics, Inc.